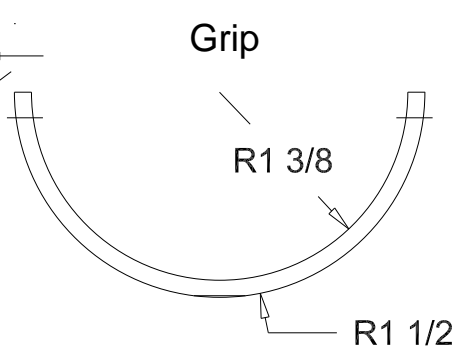
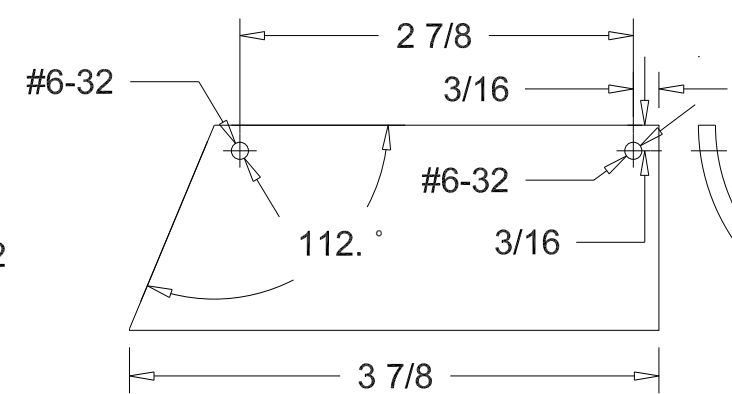
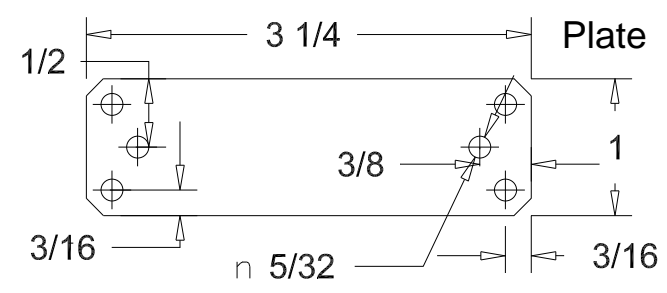
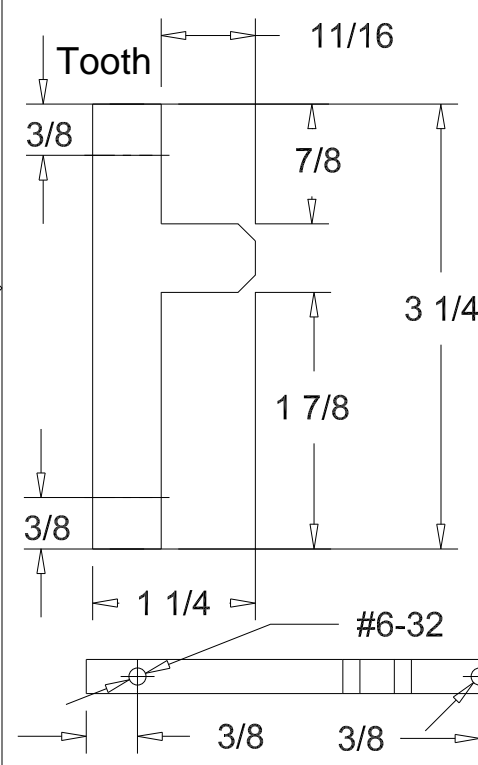
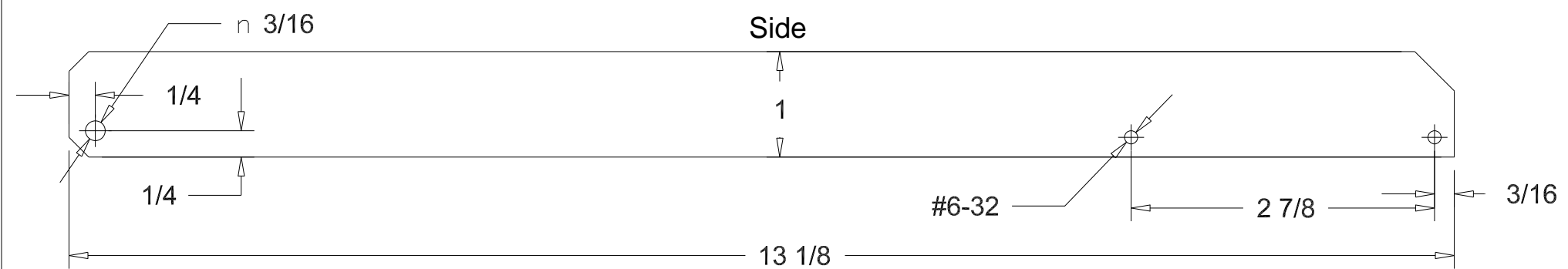
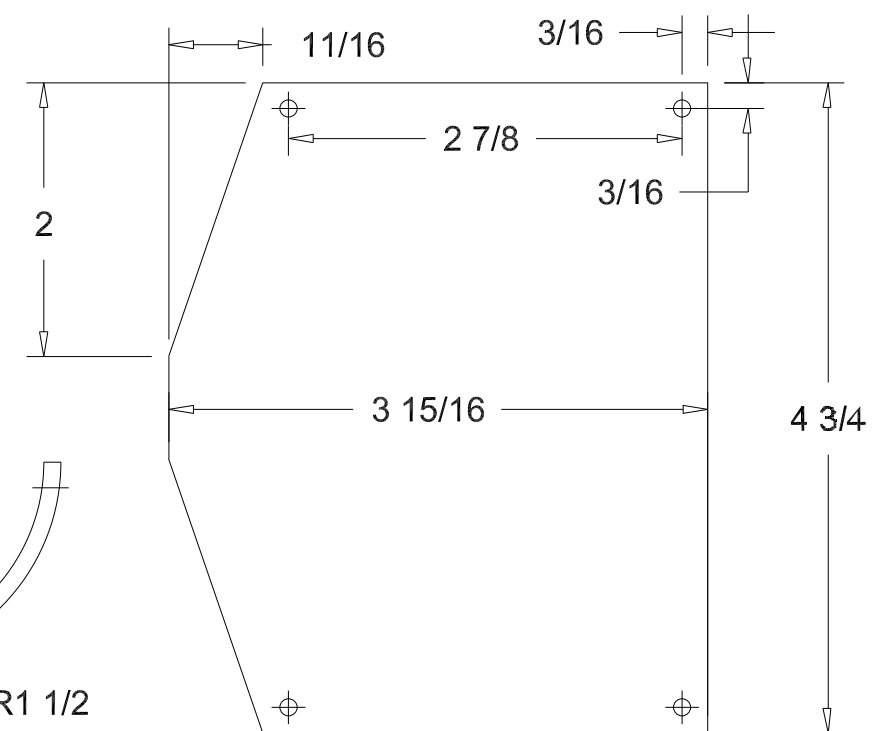


REVISIONS				
ZONE	REV	DESCRIPTION	DATE	APPROVED



Paper Template for marking Grip holes and cuts



Side = 1/4" Polycarbonate Tooth = 1/4" Polycarbonate Plate = 1/8" to 1/4" Polycarbonate Grip = 2 3/4" ID 3" OD Polyester Tube	DRAWN Captain Slug	DATE 12/26/06	<h2>Nerf Longshot "Shotgun" ForeGrip Rev.3</h2>			
	CHECKED					
	QA			SIZE A	FSCM NO.	DWG NO.
MFG			Scale : 1:2		SHEET	